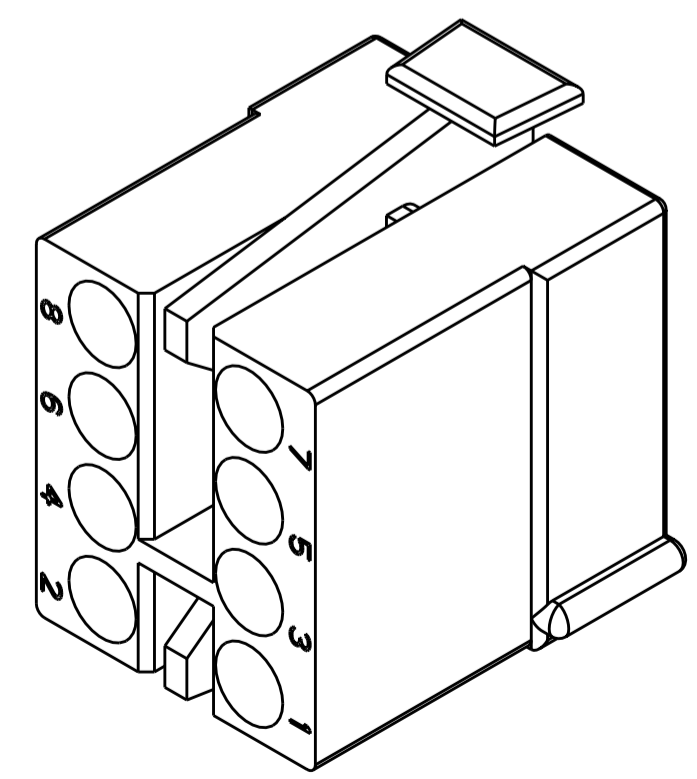
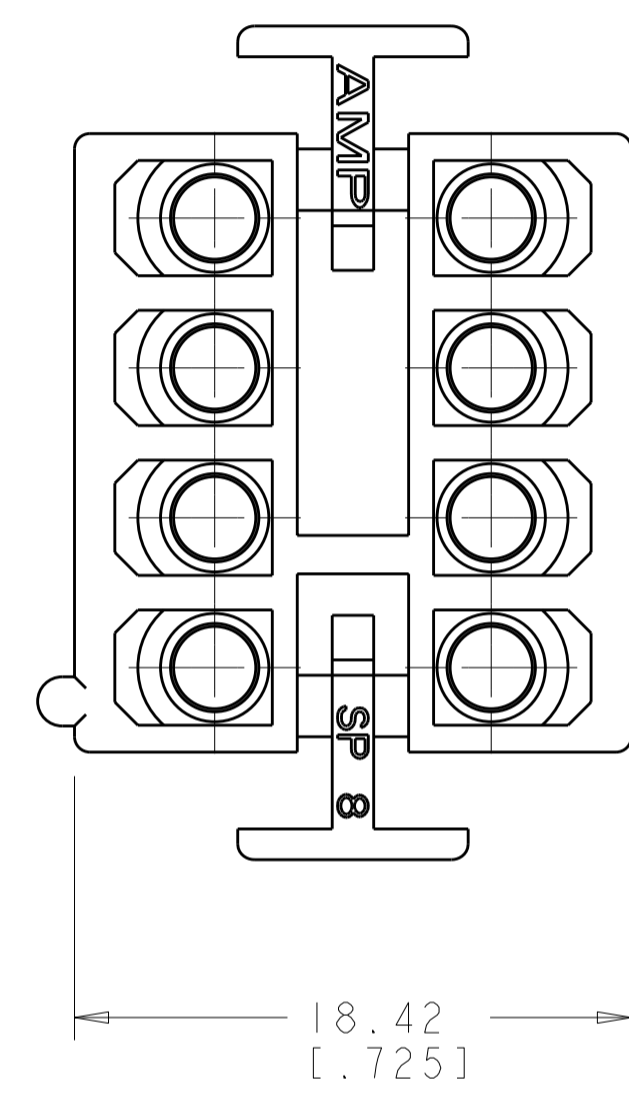
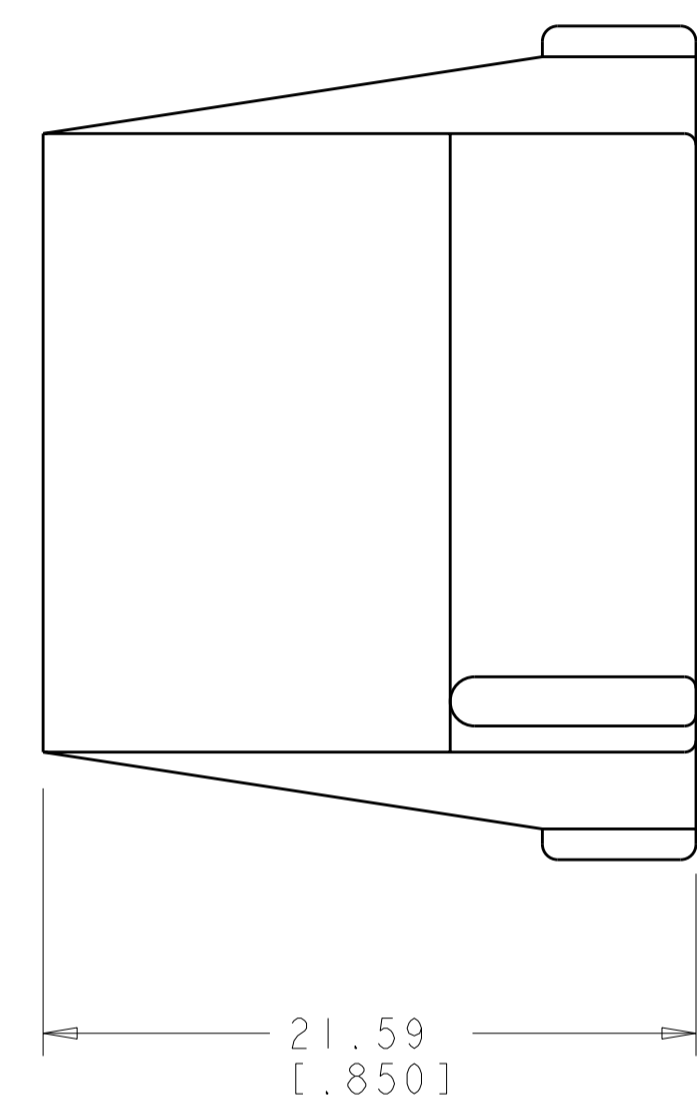
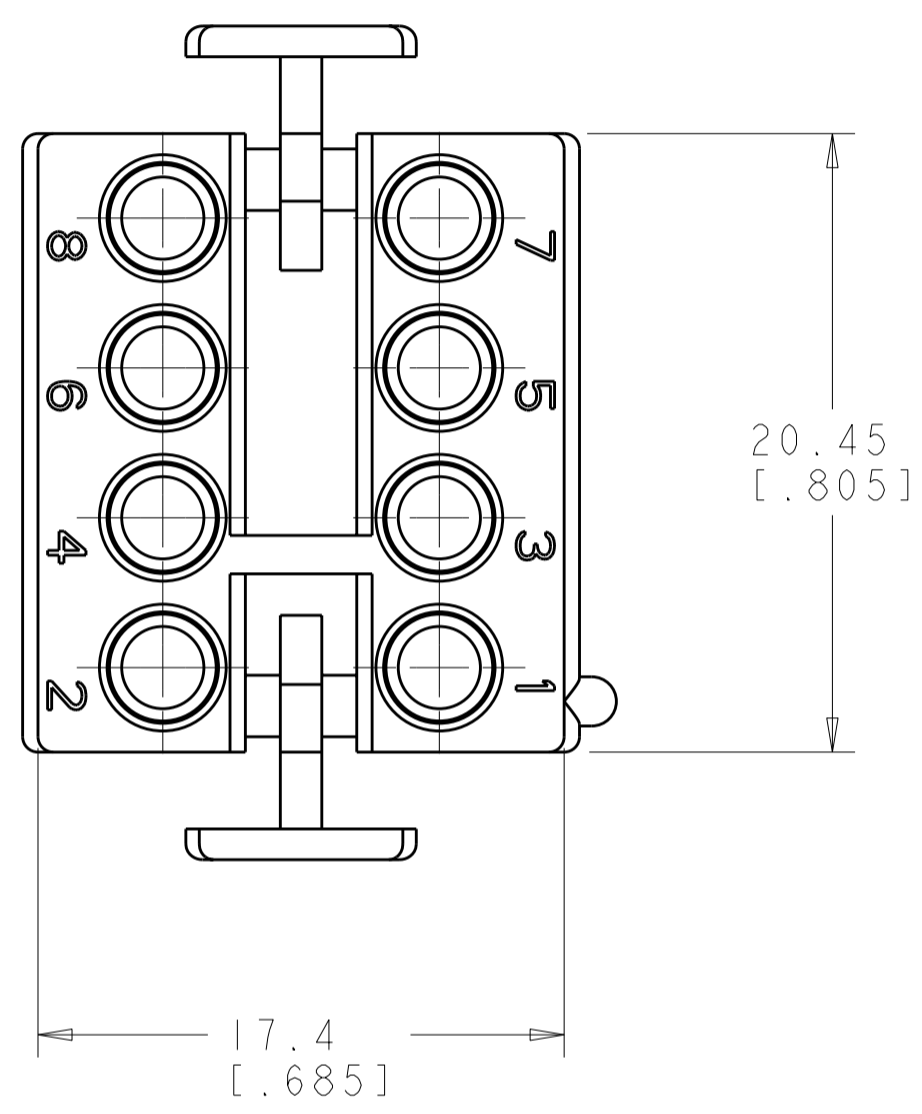


THIS DRAWING IS UNPUBLISHED. RELEASED FOR PUBLICATION 20
 © COPYRIGHT 20 BY TYCO ELECTRONICS CORPORATION. ALL RIGHTS RESERVED.

LOC	DIST	REVISIONS					
CM	00	P	LTR	DESCRIPTION	DATE	DWN	APVD
			S	ECO-08-007175	20MAR2008	KW	CC

1. TO BE USED WITH APPROPRIATE COMMERCIAL MATE-N-LOK™ SOCKETS.
2. TO BE USED WITH CAP HOUSING 480284.



SCALE 3:1

METRIC

0.256 IN ³	1-480283-0
VOLUME	PART NUMBER

<small>THIS DRAWING IS A CONTROLLED DOCUMENT FOR TYCO ELECTRONICS CORPORATION. IT IS SUBJECT TO CHANGE AND THE CONTROLLING ENGINEERING ORGANIZATION SHOULD BE CONTACTED FOR THE LATEST REVISION.</small>		DWN	05MAR2008	Tyco Electronics Harrisburg, PA 17105-3608	
DIMENSIONS: mm [INCHES]		CHK	05MAR2008		
TOLERANCES UNLESS OTHERWISE SPECIFIED: 0 PLC ±- 1 PLC ±- 2 PLC ±0.13 [0.005] 3 PLC ±- 4 PLC ±- ANGLES ±0°30'		APVD	05MAR2008		
MATERIAL NYLON, NATURAL		PRODUCT SPEC	-		
FINISH		APPLICATION SPEC	-	NAME	PLUG, 8 CIRCUIT, COMMERCIAL MATE-N-LOK(TM)
WEIGHT		WEIGHT	-	SIZE	A2
CUSTOMER DRAWING		SCALE	4:1	CAGE CODE	480283
SHEET		SHEET	1	DRAWING NO	480283
OF		OF	1	RESTRICTED TO	-
REV		REV	S		